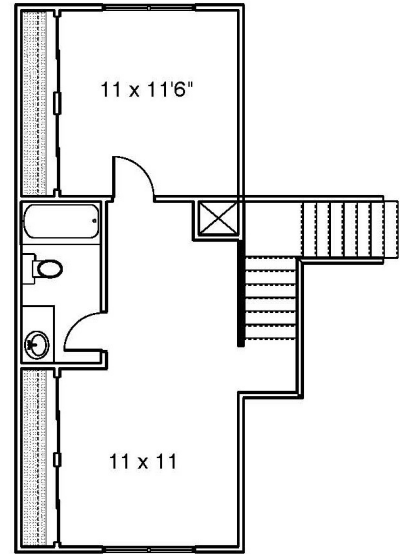
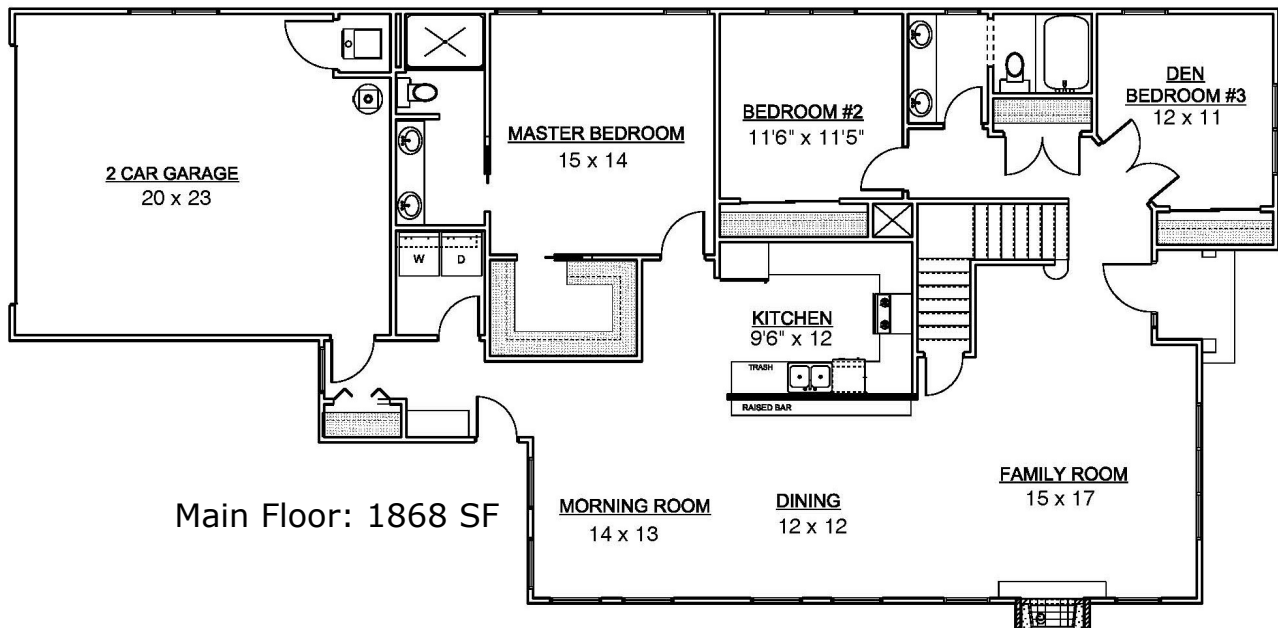


the JAMESON



Opt. Bonus Room: 497 SF



Main Floor: 1868 SF



GentryCrest
at RENWICK

*Not Drawn to Scale *Fireplace Optional

*Room Sizes May Vary *Basement Optional

Gentry Real Estate & Construction
986 S. SR 446 Bloomington, IN 47401
812.332.7400
www.gentry-realestate.com